

TX-Motoren



Baureihe ECP — Motoren mit Planetengetriebe



| Indice | Index | Pag. Page |
|--------------------------|---------------------------|--------------|
| Caratteristiche tecniche | <i>Technical features</i> | Q2 |
| Designazione | <i>Classification</i> | Q2 |
| Versioni | <i>Versions</i> | Q2 |
| Simbologia | <i>Symbols</i> | Q2 |
| Lubrificazione | <i>Lubrication</i> | Q2 |
| Carichi radiali | <i>Radial loads</i> | Q3 |
| Rapporti | <i>Ratios</i> | Q3 |
| Rendimento | <i>Efficiency</i> | Q3 |
| Dati tecnici | <i>Technical data</i> | Q4 |
| Motori applicabili | <i>IEC Motor adapters</i> | Q11 |
| Dimensioni | <i>Dimensions</i> | Q12 |

Caratteristiche tecniche

Technical features


Le caratteristiche principali dei motoriduttori a corrente continua della serie ECP sono:

The main features of ECP D.C. gearmotor range are:

- Alimentazione in bassa tensione 12/24 Vcc
 - Possibilità di montaggio encoder
 - Potenze motore disponibili da 30 a 800W S2
 - Magnet in ferrite
 - Entrata ed uscita coassiali
 - Design compatto
 - Lubrificazione permanente a grasso
 - Possono essere installati in qualunque posizione di montaggio.
- Low voltage power supply 12/24 Vdc
 - Suitable for encoder assembly
 - Motor power ratings available from 30 up to 800W S2
 - Ferrite magnets
 - Coaxial arrangement of the input and output
 - Compact design
 - Permanent grease oil long-life lubrication
 - Can be intalled in all mounting position.

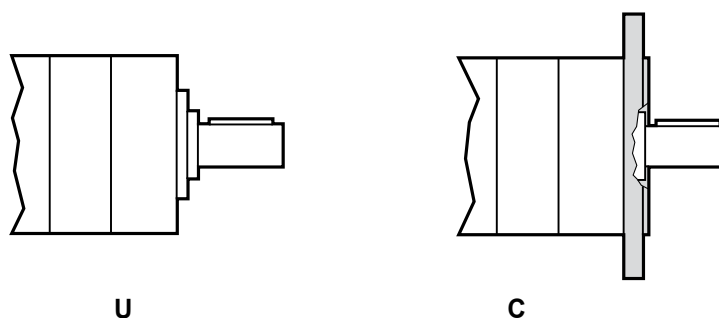
Designazione

Classification

| MOTORIDUTTORE / GEARMOTOR | | | | | | | | | | | | | | |
|--|-------------------|------------------|------------------|---------|---------|---------|---------|---------|--------------------------------------|--|---------------------------------------|-------------------|--|-----|
| ECP | 070/62 | | | | | | | | 2 | C | 90 | 34.97 | 120 | |
| Tipo Type | Grandezza Size | | | | | | | | Stadi riduttore Gearbox stages | Versione riduttore Gearbox Version | Flangia Uscita Output flange | Rapporto Ratio | Versione Motore Motor Version | |
|  | 020/42 | 035/42 035/52 | 050/42 050/52 | 070/52 | 100/52 | 180/52 | 250/62 | 350/62 | 600/72 | 1 | U | 80 | Vedere tabella See tables | 120 |
| | | | | 070/62 | 100/62 | 180/62 | 250/72 | 350/72 | 600/81 | | | | | |
| | | | | 070/72 | 100/72 | 180/72 | 250/81 | 350/81 | 600/105 | | | | | |
| | | | | 070/81 | 100/81 | 180/81 | 250/105 | 350/105 | 600/120 | | | | | |
| | | | | 180/105 | 250/120 | 350/120 | | | | 2 | C | 105 | 240 | |
| | | | | 180/120 | | | | | | 3 | | 120 | | 24E |

Versioni

Versions



Simbologia

Symbols

| | | | | |
|----------------|----------------------|---|----------------|---|
| n_1 | [min ⁻¹] | Velocità in ingresso / Input speed | sf | Fattore di servizio / Service factor |
| n_2 | [min ⁻¹] | Velocità in uscita / Output speed | Rd | % Rendimento dinamico / Dynamic efficiency |
| i | | Rapporto di riduzione / Ratio | A ₂ | [N] Carico assiale ammissibile in uscita / Permitted output axial load |
| P ₁ | [kW] | Potenza in entrata / Input power | R ₂ | [N] Carico radiale ammissibile in uscita / Permitted output radial load |
| M ₂ | [Nm] | Coppia in uscita in funzione di P ₁ / Output torque referred to P ₁ | | |

Lubrificazione

Lubrication

I riduttori epicicloidali sono lubrificati in modo permanente, non richiedono quindi ulteriore manutenzione.

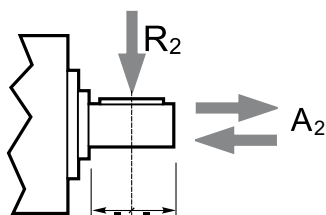
Questo gli consente di essere installati praticamente ovunque.

La temperatura di funzionamento consentita va da -30 °C a +140 °C; per applicazioni particolari, possono essere adottate misure per raggiungere livelli di temperatura maggiori.

Planetary gearboxes are life-time lubricated with grease, therefore they are maintenance free.

They can be installed in any location.

The temperature range is from -30 °C up to +140 °C; for special applications, measures can be taken for higher temperature range.

Carichi radiali


| Numero di stadi Stages number | Carichi Radiali R_2 [N] / Radial Load R_2 [N] | | | | | | |
|----------------------------------|---|-----|-----|-----|------|------|------|
| | P42 | P52 | P62 | P72 | P81 | P105 | P120 |
| 1 | 160 | 200 | 240 | 320 | 400 | 600 | 600 |
| 2 | 230 | 320 | 360 | 480 | 600 | 900 | 900 |
| 3 | 300 | 450 | 520 | 760 | 1000 | 1500 | 1500 |

| Numero di stadi Stages number | Carichi Assiali A_2 [N] / Axial Load A_2 [N] | | | | | | |
|----------------------------------|--|-----|-----|-----|-----|------|------|
| | P42 | P52 | P62 | P72 | P81 | P105 | P120 |
| 1 | 50 | 60 | 70 | 70 | 80 | 120 | 120 |
| 2 | 80 | 100 | 100 | 100 | 120 | 180 | 180 |
| 3 | 110 | 150 | 150 | 160 | 200 | 300 | 300 |

Rapporti
Ratios

| Numero di stadi Stages number | Per tutte le grandezze di riduttori della serie P For all gearbox sizes of P range |
|----------------------------------|---|
| | Rapporti / Ratios |
| 1 | 3.70 |
| | 4.28* |
| | 5.18* |
| | 6.75 |
| 2 | 13.73 |
| | 15.88* |
| | 18.36* |
| | 19.20* |
| | 22.20* |
| | 25.01 |
| | 26.85* |
| | 28.93* |
| 3 | 50.89 |
| | 58.85* |
| | 68.06* |
| | 71.16* |
| | 78.71* |
| | 92.70 |
| | 95.17* |
| | 99.50* |
| | 107.20* |
| | 115.07* |
| | 123.97* |
| | 129.62* |
| | 139.13* |
| | 149.90* |
| | 168.84 |
| 181.24* | |
| 195.26* | |
| 236.09* | |
| 307.54 | |

Rapporti preferenziali
Preferred ratios

* Rapporto non disponibile su grandezza P120
Ratio not available on size P120

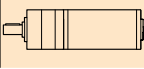
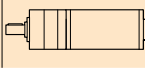
Disponibile a 4 stadi con rapporti fino a 2076
Available 4 stages with ratio up to 2076

Rendimento
Efficiency

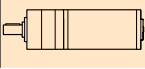
| Rendimento Efficiency | Per tutte le grandezze di riduttori della serie P For all gearbox sizes of P range | | |
|--------------------------|---|----|----|
| | Numero di stadi / Stages number | | |
| | 1 | 2 | 3 |
| Rd % | 80 | 75 | 70 |

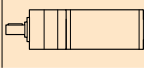
Rendimento medio per velocità nominale in ingresso 3000 rpm
Average efficiency with input rated speed 3000 rpm

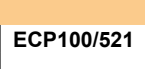
Dati tecnici per servizio S2
Technical data for S2 duty

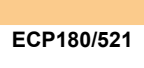
| P_1 [W] | n_2 [min ⁻¹] | M_2 [Nm] | sf | i |  | Versione motore Motor version | P_1 [W] | n_2 [min ⁻¹] | M_2 [Nm] | sf | i |  | Versione motore Motor version |
|---------------------------|-------------------------------|---------------|-----|---------------|---|----------------------------------|---------------------------|-------------------------------|---------------|-----|---------------|---|----------------------------------|
| 70 | | | | | | | 100 | | | | | | |
| (2850 min ⁻¹) | 59 | 7.8 | 1.9 | 50.89 | ECP050/423 | 12E/24E | (3000 min ⁻¹) | 59 | 11 | 2.3 | 50.89 | ECP070/523 | 120/240 |
| | 51 | 9.1 | 1.7 | 58.85 | | | | 51 | 13 | 2.0 | 58.85 | | |
| | 44 | 10 | 1.4 | 68.06 | | | | 44 | 15 | 1.7 | 68.06 | | |
| | 42 | 11 | 1.4 | 71.16 | | | | 42 | 15 | 1.6 | 71.16 | | |
| | 38 | 12 | 1.2 | 78.71 | | | | 38 | 17 | 1.5 | 78.71 | | |
| | 32 | 14 | 1.1 | 92.70 | | | | 32 | 20 | 1.2 | 92.70 | | |
| | 31 | 15 | 1.0 | 95.17 | | | | 31 | 21 | 1.2 | 95.17 | | |
| | 30 | 15 | 1.0 | 99.50 | | | | 30 | 22 | 1.2 | 99.50 | | |
| | 28 | 17 | 0.9 | 107.20 | | | | 28 | 23 | 1.1 | 107.20 | | |
| | 26 | 18 | 0.8 | 115.07 | | | | 26 | 25 | 1.0 | 115.07 | | |
| | 24 | 19 | 0.8 | 123.97 | | | | 24 | 27 | 0.9 | 123.97 | | |
| | 23 | 20 | 0.8 | 129.62 | | | | 23 | 28 | 0.9 | 129.62 | | |
| | 22 | 21 | 0.7 | 139.13 | | | | 22 | 30 | 0.8 | 139.13 | | |
| | 20 | 21 | 0.7 | 149.90 | | | | 20 | 33 | 0.8 | 149.90 | | |
| | 18 | 21 | 0.7 | 168.84 | | | | 18 | 36 | 0.7 | 168.84 | | |
| | 17 | 21 | 0.7 | 181.24 | | | | 17 | 36 | 0.7 | 181.24 | | |
| | 15 | 21 | 0.7 | 195.26 | | | | 15 | 36 | 0.7 | 195.26 | | |
| | 13 | 21 | 0.7 | 236.09 | | | | 13 | 36 | 0.7 | 236.09 | | |
| | 9.8 | 21 | 0.7 | 307.54 | | | | 9.8 | 36 | 0.7 | 307.54 | | |
| | 163 | 3.0 | 4.0 | 18.36 | ECP050/522 | 12E/24E | | 120.0 | 5.8 | 4.3 | 25.01 | ECP070/622 | 120/240 |
| | 156 | 3.2 | 3.8 | 19.20 | | | | 112 | 6.2 | 4.0 | 26.85 | | |
| | 135 | 3.7 | 3.3 | 22.20 | | | | 104 | 6.7 | 3.7 | 28.93 | | |
| | 120 | 4.1 | 2.9 | 25.01 | | | | 86 | 8.1 | 3.1 | 34.97 | | |
| | 112 | 4.4 | 2.7 | 26.85 | | | | 66 | 11 | 2.4 | 45.56 | | |
| | 104 | 4.8 | 2.5 | 28.93 | | | | 59 | 11 | 4.5 | 50.89 | ECP070/623 | 120/240 |
| | 86 | 5.8 | 2.1 | 34.97 | | | | 51 | 13 | 3.9 | 58.85 | | |
| | 66 | 7.5 | 1.6 | 45.56 | | | | 44 | 15 | 3.4 | 68.06 | | |
| | 59 | 7.8 | 3.2 | 50.89 | ECP050/523 | 12E/24E | | 42 | 15 | 3.2 | 71.16 | | |
| | 51 | 9.1 | 2.8 | 58.85 | | | | 38 | 17 | 2.9 | 78.71 | | |
| | 44 | 10 | 2.4 | 68.06 | | | | 32 | 20 | 2.5 | 92.70 | | |
| | 42 | 11 | 2.3 | 71.16 | | | | 31 | 21 | 2.4 | 95.17 | | |
| | 38 | 12 | 2.1 | 78.71 | | | | 30 | 22 | 2.3 | 99.50 | | |
| | 32 | 14 | 1.8 | 92.70 | | | | 28 | 23 | 2.1 | 107.20 | | |
| | 31 | 15 | 1.7 | 95.17 | | | | 26 | 25 | 2.0 | 115.07 | | |
| | 30 | 15 | 1.6 | 99.50 | | | | 24 | 27 | 1.9 | 123.97 | | |
| | 28 | 17 | 1.5 | 107.20 | | | | 23 | 28 | 1.8 | 129.62 | | |
| | 26 | 18 | 1.4 | 115.07 | | | | 22 | 30 | 1.7 | 139.13 | | |
| | 24 | 19 | 1.3 | 123.97 | | | | 20 | 33 | 1.5 | 149.90 | | |
| | 23 | 20 | 1.3 | 129.62 | | | | 18 | 37 | 1.4 | 168.84 | | |
| | 22 | 21 | 1.2 | 139.13 | | | | 17 | 39 | 1.3 | 181.24 | | |
| | 20 | 23 | 1.1 | 149.90 | | | | 15 | 42 | 1.2 | 195.26 | | |
| | 18 | 26 | 1.0 | 168.84 | | | | 13 | 51 | 1.0 | 236.09 | | |
| | 17 | 28 | 0.9 | 181.24 | | | | 9.8 | 67 | 0.7 | 307.54 | | |
| | 15 | 30 | 0.8 | 195.26 | | | | 32 | 20 | 4.2 | 92.70 | ECP070/723 | 120/240 |
| | 13 | 36 | 0.7 | 236.09 | | | | 31 | 21 | 4.1 | 95.17 | | |
| | 9.8 | 36 | 0.7 | 307.54 | | | | 30 | 22 | 3.9 | 99.50 | | |
| | | | | | | | | 28 | 23 | 3.6 | 107.20 | | |
| | | | | | | | | 26 | 25 | 3.4 | 115.07 | | |
| | | | | | | | | 24 | 27 | 3.1 | 123.97 | | |
| | | | | | | | | 23 | 28 | 3.0 | 129.62 | | |
| | | | | | | | | 22 | 30 | 2.8 | 139.13 | | |
| | | | | | | | | 20 | 33 | 2.6 | 149.90 | | |
| | | | | | | | | 18 | 37 | 2.3 | 168.84 | | |
| | | | | | | | | 17 | 39 | 2.1 | 181.24 | | |
| | | | | | | | | 15 | 42 | 2.0 | 195.26 | | |
| | | | | | | | | 13 | 51 | 1.6 | 236.09 | | |
| | | | | | | | | 9.8 | 67 | 1.3 | 307.54 | | |
| 100 | | | | | | | 100 | | | | | | |
| (3000 min ⁻¹) | 811 | 0.92 | 4.4 | 3.70 | ECP070/521 | 120/240 | | | | | | | |
| | 701 | 1.1 | 3.8 | 4.28 | | | | | | | | | |
| | 579 | 1.3 | 3.1 | 5.18 | | | | | | | | | |
| | 444 | 1.7 | 2.4 | 6.75 | | | | | | | | | |
| | 218 | 3.2 | 3.8 | 13.73 | ECP070/522 | 120/240 | | | | | | | |
| | 189 | 3.7 | 3.3 | 15.88 | | | | | | | | | |
| | 163 | 4.3 | 2.8 | 18.36 | | | | | | | | | |
| | 156 | 4.5 | 2.7 | 19.20 | | | | | | | | | |
| | 135 | 5.2 | 2.3 | 22.20 | | | | | | | | | |
| | 120 | 5.8 | 2.1 | 25.01 | | | | | | | | | |
| | 112 | 6.2 | 1.9 | 26.85 | | | | | | | | | |
| | 104 | 6.7 | 1.8 | 28.93 | | | | | | | | | |
| | 86 | 8.1 | 1.5 | 34.97 | | | | | | | | | |
| | 66 | 11 | 1.1 | 45.56 | | | | | | | | | |

Dati tecnici per servizio S2
Technical data for S2 duty

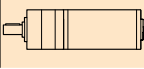
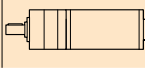
| P_1 [W] | n_2 [min ⁻¹] | M_2 [Nm] | sf | i |  | Versione motore Motor version |
|---------------------------|-------------------------------|---------------|-----|---------------|---|----------------------------------|
| 100 | | | | | | |
| (3000 min ⁻¹) | 20 | 33 | 3.7 | 149.90 | ECP070/813 | 120/240 |
| | 18 | 37 | 3.3 | 168.84 | | |
| | 17 | 39 | 3.1 | 181.24 | | |
| | 15 | 42 | 2.8 | 195.26 | | |
| | 13 | 51 | 2.3 | 236.09 | | |
| | 9.8 | 67 | 1.8 | 307.54 | | |

| P_1 [W] | n_2 [min ⁻¹] | M_2 [Nm] | sf | i |  | Versione motore Motor version |
|---------------------------|-------------------------------|---------------|-----|---------------|---|----------------------------------|
| 140 | | | | | | |
| (3000 min ⁻¹) | 59 | 15 | 3.3 | 50.89 | ECP100/623 | 120/240/24E |
| | 51 | 18 | 2.8 | 58.85 | | |
| | 44 | 20 | 2.4 | 68.06 | | |
| | 42 | 21 | 2.3 | 71.16 | | |
| | 38 | 24 | 2.1 | 78.71 | | |
| | 32 | 28 | 1.8 | 92.70 | | |
| | 31 | 29 | 1.7 | 95.17 | | |
| | 30 | 30 | 1.7 | 99.50 | | |
| | 28 | 32 | 1.5 | 107.20 | | |
| | 26 | 35 | 1.4 | 115.07 | | |
| | 24 | 37 | 1.3 | 123.97 | | |
| | 23 | 39 | 1.3 | 129.62 | | |
| | 22 | 42 | 1.2 | 139.13 | | |
| | 20 | 45 | 1.1 | 149.90 | | |
| | 18 | 51 | 1.0 | 168.84 | | |
| | 17 | 55 | 0.9 | 181.24 | | |
| | 15 | 59 | 0.9 | 195.26 | | |
| | 13 | 71 | 0.7 | 236.09 | | |
| | 9.8 | 71 | 0.7 | 307.54 | | |
| | 86 | 11 | 3.7 | 34.97 | ECP100/722 | 120/240/24E |
| | 66 | 15 | 2.9 | 45.56 | | |
| | 44 | 20 | 4.1 | 68.06 | ECP100/723 | 120/240/24E |
| | 42 | 21 | 3.9 | 71.16 | | |
| | 38 | 24 | 3.5 | 78.71 | | |
| | 32 | 28 | 3.0 | 92.70 | | |
| | 31 | 29 | 2.9 | 95.17 | | |
| | 30 | 30 | 2.8 | 99.50 | | |
| | 28 | 32 | 2.6 | 107.20 | | |
| | 26 | 35 | 2.4 | 115.07 | | |
| | 24 | 37 | 2.3 | 123.97 | | |
| | 23 | 39 | 2.2 | 129.62 | | |
| | 22 | 42 | 2.0 | 139.13 | | |
| | 20 | 45 | 1.9 | 149.90 | | |
| | 18 | 51 | 1.7 | 168.84 | | |
| | 17 | 55 | 1.5 | 181.24 | | |
| | 15 | 59 | 1.4 | 195.26 | | |
| | 13 | 71 | 1.2 | 236.09 | | |
| | 9.8 | 93 | 0.9 | 307.54 | | |
| | 32 | 28 | 4.3 | 92.70 | | |
| | 31 | 29 | 4.2 | 95.17 | | |
| | 30 | 30 | 4.0 | 99.50 | | |
| | 28 | 32 | 3.7 | 107.20 | | |
| | 26 | 35 | 3.5 | 115.07 | | |
| | 24 | 37 | 3.2 | 123.97 | | |
| | 23 | 39 | 3.1 | 129.62 | | |
| | 22 | 42 | 2.9 | 139.13 | | |
| | 20 | 45 | 2.7 | 149.90 | | |
| | 18 | 51 | 2.4 | 168.84 | | |
| | 17 | 55 | 2.2 | 181.24 | | |
| | 15 | 59 | 2.0 | 195.26 | | |
| | 13 | 71 | 1.7 | 236.09 | | |
| | 9.8 | 93 | 1.3 | 307.54 | | |

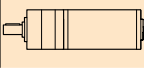
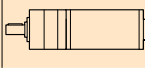
| P_1 [W] | n_2 [min ⁻¹] | M_2 [Nm] | sf | i |  | Versione motore Motor version | | |
|---------------------------|-------------------------------|---------------|-----|---------------|---|----------------------------------|-------------------|--------------------|
| 140 | | | | | | | | |
| (3000 min ⁻¹) | 811 | 1.3 | 3.1 | 3.70 | ECP100/521 | 120/240/24E | | |
| | 701 | 1.5 | 2.7 | 4.28 | | | | |
| | 579 | 1.8 | 2.2 | 5.18 | | | | |
| | 444 | 2.3 | 1.7 | 6.75 | | | | |
| | 218 | 4.4 | 2.7 | 13.73 | ECP100/522 | 120/240/24E | | |
| | 189 | 5.1 | 2.3 | 15.88 | | | | |
| | 163 | 5.9 | 2.0 | 18.36 | | | | |
| | 156 | 6.2 | 1.9 | 19.20 | | | | |
| | 135 | 7.2 | 1.7 | 22.20 | | | | |
| | 120 | 8.1 | 1.5 | 25.01 | | | | |
| | 112 | 8.7 | 1.4 | 26.85 | | | | |
| | 104 | 9.3 | 1.3 | 28.93 | | | | |
| | 86 | 11 | 1.1 | 34.97 | | | | |
| | 66 | 15 | 0.8 | 45.56 | | | | |
| | 59 | 15 | 1.6 | 50.89 | | | ECP100/523 | 120/240/24E |
| | 51 | 18 | 1.4 | 58.85 | | | | |
| | 44 | 20 | 1.2 | 68.06 | | | | |
| | 42 | 21 | 1.2 | 71.16 | | | | |
| | 38 | 24 | 1.1 | 78.71 | | | | |
| | 32 | 28 | 0.9 | 92.70 | | | | |
| | 31 | 29 | 0.9 | 95.17 | | | | |
| | 30 | 30 | 0.8 | 99.50 | | | | |
| | 28 | 32 | 0.8 | 107.20 | | | | |
| | 26 | 35 | 0.7 | 115.07 | | | | |
| | 24 | 36 | 0.7 | 123.97 | | | | |
| | 23 | 36 | 0.7 | 129.62 | | | | |
| | 22 | 36 | 0.7 | 139.13 | | | | |
| | 20 | 36 | 0.7 | 149.90 | | | | |
| | 18 | 36 | 0.7 | 168.84 | | | | |
| | 17 | 36 | 0.7 | 181.24 | | | | |
| | 15 | 36 | 0.7 | 195.26 | | | | |
| | 13 | 36 | 0.7 | 236.09 | | | | |
| | 9.8 | 36 | 0.7 | 307.54 | | | | |
| | 444 | 2.3 | 3.4 | 6.75 | ECP100/621 | 120/240/24E | | |
| | 156 | 6.2 | 4.0 | 19.20 | | | | |
| | 135 | 7.2 | 3.5 | 22.20 | ECP100/622 | 120/240/24E | | |
| | 120 | 8.1 | 3.1 | 25.01 | | | | |
| | 112 | 8.7 | 2.9 | 26.85 | | | | |
| | 104 | 9.3 | 2.7 | 28.93 | | | | |
| | 86 | 11 | 2.2 | 34.97 | | | | |
| | 66 | 15 | 1.7 | 45.56 | | | | |

| P_1 [W] | n_2 [min ⁻¹] | M_2 [Nm] | sf | i |  | Versione motore Motor version |
|---------------------------|-------------------------------|---------------|-----|-------------|---|----------------------------------|
| 250 | | | | | | |
| (3000 min ⁻¹) | 811 | 2.4 | 1.7 | 3.70 | ECP180/521 | 120/240 |
| | 701 | 2.7 | 1.5 | 4.28 | | |
| | 579 | 3.3 | 1.2 | 5.18 | | |
| | 444 | 4.3 | 0.9 | 6.75 | | |

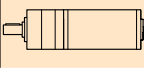
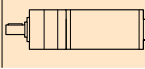
Dati tecnici per servizio S2
Technical data for S2 duty

| 250 | | | | | | | 250 | | | | | | |
|---------------------------|-------------------------------|---------------|-----|---------------|---|----------------------------------|---------------------------|-------------------------------|---------------|---------------|-------------------|---|----------------------------------|
| P_1 [W] | n_2 [min ⁻¹] | M_2 [Nm] | sf | i |  | Versione motore Motor version | P_1 [W] | n_2 [min ⁻¹] | M_2 [Nm] | sf | i |  | Versione motore Motor version |
| (3000 min ⁻¹) | 218 | 8.2 | 1.5 | 13.73 | ECP180/522 | 120/240 | (3000 min ⁻¹) | 163 | 11 | 3.8 | 18.36 | ECP180/722 | 120/240/24E |
| | 189 | 9.5 | 1.3 | 15.88 | | | 156 | 12 | 3.6 | 19.20 | | | |
| | 163 | 11 | 1.1 | 18.36 | | | 135 | 13 | 3.2 | 22.20 | | | |
| | 156 | 12 | 1.0 | 19.20 | | | 120 | 15 | 2.8 | 25.01 | | | |
| | 135 | 13 | 0.9 | 22.20 | | | 112 | 16 | 2.6 | 26.85 | | | |
| | 120 | 15 | 0.8 | 25.01 | | | 104 | 17 | 2.4 | 28.93 | | | |
| | 112 | 16 | 0.7 | 26.85 | | | 86 | 21 | 2.0 | 34.97 | | | |
| | 104 | 17 | 0.7 | 28.93 | | | 66 | 27 | 1.5 | 45.56 | | | |
| | 86 | 17 | 0.7 | 34.97 | | | | | | | | | |
| | 66 | 17 | 0.7 | 45.56 | | | 59 | 28 | 2.9 | 50.89 | ECP180/723 | 120/240/24E | |
| | 59 | 28 | 0.9 | 50.89 | | | 51 | 33 | 2.5 | 58.85 | | | |
| | 51 | 33 | 0.8 | 58.85 | | | 44 | 38 | 2.2 | 68.06 | | | |
| | 44 | 36 | 0.7 | 68.06 | | | 42 | 40 | 2.1 | 71.16 | | | |
| | 42 | 36 | 0.7 | 71.16 | | | 38 | 44 | 1.9 | 78.71 | | | |
| | 38 | 36 | 0.7 | 78.71 | | | 32 | 52 | 1.6 | 92.70 | | | |
| | 32 | 36 | 0.7 | 92.70 | | | 31 | 53 | 1.6 | 95.17 | | | |
| | 31 | 36 | 0.7 | 95.17 | | | 30 | 56 | 1.5 | 99.50 | | | |
| | 30 | 36 | 0.7 | 99.50 | | | 28 | 60 | 1.4 | 107.20 | | | |
| | 28 | 36 | 0.7 | 107.20 | | | 26 | 64 | 1.3 | 115.07 | | | |
| | 26 | 36 | 0.7 | 115.07 | ECP180/523 | 120/240 | 24 | 69 | 1.2 | 123.97 | | | |
| | 24 | 36 | 0.7 | 123.97 | | | 23 | 73 | 1.2 | 129.62 | | | |
| | 23 | 36 | 0.7 | 129.62 | | | 22 | 78 | 1.1 | 139.13 | | | |
| | 22 | 36 | 0.7 | 139.13 | | | 20 | 84 | 1.0 | 149.90 | | | |
| | 20 | 36 | 0.7 | 149.90 | | | 18 | 95 | 0.9 | 168.84 | | | |
| | 18 | 36 | 0.7 | 168.84 | | | 17 | 101 | 0.8 | 181.24 | | | |
| | 17 | 36 | 0.7 | 181.24 | | | 15 | 109 | 0.8 | 195.26 | | | |
| | 15 | 36 | 0.7 | 195.26 | | | 13 | 120 | 0.7 | 236.09 | | | |
| | 13 | 36 | 0.7 | 236.09 | | | 9.8 | 120 | 0.7 | 307.54 | | | |
| | 9.8 | 36 | 0.7 | 307.54 | | | 120 | 15 | 4.0 | 25.01 | ECP180/812 | 120/240/24E | |
| | 811 | 2.4 | 3.4 | 3.70 | ECP180/621 | 120/240/24E | 112 | 16 | 3.7 | 26.85 | | | |
| | 701 | 2.7 | 2.9 | 4.28 | | | 104 | 17 | 3.5 | 28.93 | | | |
| | 579 | 3.3 | 2.4 | 5.18 | | | 86 | 21 | 2.9 | 34.97 | | | |
| | 444 | 4.3 | 1.9 | 6.75 | | | 66 | 27 | 2.2 | 45.56 | | | |
| | 218 | 8.2 | 3.0 | 13.73 | ECP180/622 | 120/240/24E | 51 | 33 | 3.6 | 58.85 | ECP180/813 | 120/240/24E | |
| | 189 | 9.5 | 2.6 | 15.88 | | | 44 | 38 | 3.1 | 68.06 | | | |
| | 163 | 11 | 2.3 | 18.36 | | | 42 | 40 | 3.0 | 71.16 | | | |
| | 156 | 12 | 2.2 | 19.20 | | | 38 | 44 | 2.7 | 78.71 | | | |
| | 135 | 13 | 1.9 | 22.20 | | | 32 | 52 | 2.3 | 92.70 | | | |
| | 120 | 15 | 1.7 | 25.01 | | | 31 | 53 | 2.3 | 95.17 | | | |
| | 112 | 16 | 1.6 | 26.85 | | | 30 | 56 | 2.2 | 99.50 | | | |
| | 104 | 17 | 1.4 | 28.93 | | | 28 | 60 | 2.0 | 107.20 | | | |
| | 86 | 21 | 1.2 | 34.97 | | | 26 | 64 | 1.9 | 115.07 | | | |
| | 66 | 27 | 0.9 | 45.56 | | | 24 | 69 | 1.7 | 123.97 | | | |
| | 59 | 28 | 1.8 | 50.89 | ECP180/623 | 120/240/24E | 23 | 73 | 1.7 | 129.62 | | | |
| | 51 | 33 | 1.5 | 58.85 | | | 22 | 78 | 1.5 | 139.13 | | | |
| | 44 | 38 | 1.3 | 68.06 | | | 20 | 84 | 1.4 | 149.90 | | | |
| | 42 | 40 | 1.3 | 71.16 | | | 18 | 95 | 1.3 | 168.84 | | | |
| | 38 | 44 | 1.1 | 78.71 | | | 17 | 101 | 1.2 | 181.24 | | | |
| | 32 | 52 | 1.0 | 92.70 | | | 15 | 109 | 1.1 | 195.26 | | | |
| | 31 | 53 | 0.9 | 95.17 | | | 13 | 132 | 0.9 | 236.09 | | | |
| | 30 | 56 | 0.9 | 99.50 | | | 9.8 | 172 | 0.7 | 307.54 | | | |
| | 28 | 60 | 0.8 | 107.20 | | | | | | | | | |
| | 26 | 64 | 0.8 | 115.07 | | | | | | | | | |
| | 24 | 69 | 0.7 | 123.97 | | | | | | | | | |
| | 23 | 71 | 0.7 | 129.62 | | | | | | | | | |
| | 22 | 71 | 0.7 | 139.13 | | | | | | | | | |
| | 20 | 71 | 0.7 | 149.90 | | | | | | | | | |
| | 18 | 71 | 0.7 | 168.84 | | | | | | | | | |
| | 17 | 71 | 0.7 | 181.24 | | | | | | | | | |
| | 15 | 71 | 0.7 | 195.26 | | | | | | | | | |
| | 13 | 71 | 0.7 | 236.09 | | | | | | | | | |
| | 9.8 | 71 | 0.7 | 307.54 | | | | | | | | | |

Dati tecnici per servizio S2
Technical data for S2 duty

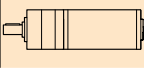
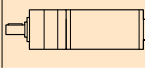
| P_1 [W] | n_2 [min ⁻¹] | M_2 [Nm] | sf | i |  | Versione motore Motor version | P_1 [W] | n_2 [min ⁻¹] | M_2 [Nm] | sf | i |  | Versione motore Motor version | | |
|---------------------------|-------------------------------|---------------|-----|---------------|---|----------------------------------|---------------------------|-------------------------------|---------------|------------|--------------|---|----------------------------------|-------------------|----------------|
| 250 | | | | | | | 350 | | | | | | | | |
| (3000 min ⁻¹) | 32 | 52 | 3.8 | 92.70 | ECP180/1053 | 120/240/24E | (3000 min ⁻¹) | 218 | 11.5 | 3.6 | 13.73 | ECP250/722 | 120/240 | | |
| | 31 | 53 | 3.7 | 95.17 | | | | | | | | | | | |
| | 30 | 56 | 3.5 | 99.50 | | | | | | | | | | | |
| | 28 | 60 | 3.2 | 107.20 | | | | | | | | | | | |
| | 26 | 64 | 3.0 | 115.07 | | | | | | | | | | | |
| | 24 | 69 | 2.8 | 123.97 | | | | | | | | | | | |
| | 23 | 73 | 2.7 | 129.62 | | | | | | | | | | | |
| | 22 | 78 | 2.5 | 139.13 | | | | | | | | | | | |
| | 20 | 84 | 2.3 | 149.90 | | | | | | | | | | | |
| | 18 | 95 | 2.1 | 168.84 | | | | | | | | | | | |
| | 17 | 101 | 1.9 | 181.24 | | | | | | | | | | | |
| | 15 | 109 | 1.8 | 195.26 | | | | | | | | | | | |
| | 13 | 132 | 1.5 | 236.09 | | | | | | | | | | | |
| | 9.8 | 172 | 1.1 | 307.54 | | | | | | | | | | | |
| | 18 | 95 | 3.2 | 168.84 | ECP180/1203 | 120/240/24E | | 59 | 39.9 | 2.1 | 50.89 | ECP250/723 | 120/240 | | |
| | 9.8 | 172 | 1.7 | 307.54 | | | | | | | | | | | |
| 350 | | | | | | | 350 | | | | | | | | |
| (3000 min ⁻¹) | 811 | 3.3 | 2.4 | 3.70 | ECP250/621 | 120/240 | (3000 min ⁻¹) | 218 | 11.5 | 3.6 | 13.73 | | | ECP250/723 | 120/240 |
| | 701 | 3.8 | 2.1 | 4.28 | | | | | | | | | | | |
| | 579 | 4.6 | 1.7 | 5.18 | | | | | | | | | | | |
| | 444 | 6.0 | 1.3 | 6.75 | | | | | | | | | | | |
| | 218 | 11.5 | 2.2 | 13.73 | ECP250/622 | 120/240 | | 51 | 46.1 | 1.8 | 58.85 | | | | |
| | 189 | 13.3 | 1.9 | 15.88 | | | | | | | | | | | |
| | 163 | 15.4 | 1.6 | 18.36 | | | | | | | | | | | |
| | 156 | 16.1 | 1.6 | 19.20 | | | | | | | | | | | |
| | 135 | 18.6 | 1.3 | 22.20 | | | | | | | | | | | |
| | 120 | 21.0 | 1.2 | 25.01 | | | | | | | | | | | |
| | 112 | 22.6 | 1.1 | 26.85 | | | | | | | | | | | |
| | 104 | 24.3 | 1.0 | 28.93 | | | | | | | | | | | |
| | 86 | 29.4 | 0.9 | 34.97 | | | | | | | | | | | |
| | 66 | 38.3 | 0.7 | 45.56 | | | | | | | | | | | |
| | 59 | 39.9 | 1.3 | 50.89 | | | ECP250/623 | 120/240 | | 44 | 53.4 | 1.6 | 68.06 | | |
| | 51 | 46.1 | 1.1 | 58.85 | | | | | | | | | | | |
| | 44 | 53.4 | 0.9 | 68.06 | | | | | | | | | | | |
| | 42 | 55.8 | 0.9 | 71.16 | | | | | | | | | | | |
| | 38 | 61.7 | 0.8 | 78.71 | | | | | | | | | | | |
| | 32 | 72.7 | 0.7 | 92.70 | | | | | | | | | | | |
| | 32 | 74.6 | 0.7 | 95.17 | | | | | | | | | | | |
| | 30 | 71.0 | 0.7 | 99.50 | | | | | | | | | | | |
| | 28 | 71.0 | 0.7 | 107.20 | | | | | | | | | | | |
| | 26 | 71.0 | 0.7 | 115.07 | | | | | | | | | | | |
| | 24 | 71.0 | 0.7 | 123.97 | | | | | | | | | | | |
| | 23 | 71.0 | 0.7 | 129.62 | | | | | | | | | | | |
| | 22 | 71.0 | 0.7 | 139.13 | | | | | | | | | | | |
| | 20 | 71.0 | 0.7 | 149.90 | | | | | | | | | | | |
| | 18 | 71.0 | 0.7 | 168.84 | | | | | | | | | | | |
| | 17 | 71.0 | 0.7 | 181.24 | | | | | | | | | | | |
| | 15 | 71.0 | 0.7 | 195.26 | | | | | | | | | | | |
| | 13 | 71.0 | 0.7 | 236.09 | | | | | | | | | | | |
| | 9.8 | 71.0 | 0.7 | 307.54 | | | | | | | | | | | |
| | 811 | 3.3 | 4.2 | 3.70 | ECP250/721 | | | 701 | 3.8 | 5.2 | 4.28 | ECP250/811 | 120/240 | | |
| | 701 | 3.8 | 3.7 | 4.28 | | | | | | | | | | | |
| | 579 | 4.6 | 3.0 | 5.18 | | | | | | | | | | | |
| | 444 | 6.0 | 2.3 | 6.75 | | | | | | | | | | | |
| | 218 | 11.5 | 5.2 | 13.73 | ECP250/812 | 120/240 | | 579 | 4.6 | 4.3 | 5.18 | | | | |
| | 189 | 13.3 | 4.5 | 15.88 | | | | | | | | | | | |
| | 163 | 15.4 | 3.9 | 18.36 | | | | | | | | | | | |
| | 156 | 16.1 | 3.7 | 19.20 | | | | | | | | | | | |
| | 135 | 18.6 | 3.2 | 22.20 | | | | | | | | | | | |
| | 120 | 21.0 | 2.9 | 25.01 | | | | | | | | | | | |
| | 112 | 22.6 | 2.7 | 26.85 | | | | | | | | | | | |
| | 104 | 24.3 | 2.5 | 28.93 | | | | | | | | | | | |
| | 86 | 29.4 | 2.0 | 34.97 | | | | | | | | | | | |
| | 66 | 38.3 | 1.6 | 45.56 | | | | | | | | | | | |
| | 59 | 39.9 | 3.0 | 50.89 | | | ECP250/813 | 120/240 | | 444 | 6.0 | 3.3 | 6.75 | | |
| | 51 | 46.1 | 2.6 | 58.85 | | | | | | | | | | | |
| | 44 | 53.4 | 2.2 | 68.06 | | | | | | | | | | | |
| | 42 | 55.8 | 2.2 | 71.16 | | | | | | | | | | | |
| | 38 | 61.7 | 1.9 | 78.71 | | | | | | | | | | | |
| | 32 | 72.7 | 1.7 | 92.70 | | | | | | | | | | | |
| | 32 | 74.6 | 1.6 | 95.17 | | | | | | | | | | | |
| | 30 | 78.0 | 1.5 | 99.50 | | | | | | | | | | | |
| | 28 | 84.0 | 1.4 | 107.20 | | | | | | | | | | | |
| | 26 | 90.2 | 1.3 | 115.07 | | | | | | | | | | | |
| | 24 | 97.2 | 1.2 | 123.97 | | | | | | | | | | | |
| | 23 | 101.6 | 1.2 | 129.62 | | | | | | | | | | | |
| | 22 | 109.1 | 1.1 | 139.13 | | | | | | | | | | | |
| | 20 | 117.5 | 1.0 | 149.90 | | | | | | | | | | | |
| | 18 | 132.4 | 0.9 | 168.84 | | | | | | | | | | | |
| | 17 | 142.1 | 0.8 | 181.24 | | | | | | | | | | | |
| | 15 | 153.1 | 0.8 | 195.26 | | | | | | | | | | | |
| | 13 | 171.0 | 0.7 | 236.09 | | | | | | | | | | | |
| | 9.8 | 171.0 | 0.7 | 307.54 | | | | | | | | | | | |

Dati tecnici per servizio S2
Technical data for S2 duty

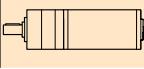
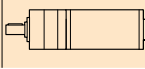
| P_1 [W] | n_2 [min ⁻¹] | M_2 [Nm] | sf | i |  | Versione motore Motor version | P_1 [W] | n_2 [min ⁻¹] | M_2 [Nm] | sf | i |  | Versione motore Motor version |
|---------------------------|-------------------------------|---------------|-----|---------------|---|----------------------------------|---------------------------|-------------------------------|---------------|-----|---------------|---|----------------------------------|
| 500 | | | | | | | 500 | | | | | | |
| (3000 min ⁻¹) | 120 | 21.0 | 5.0 | 25.01 | ECP250/1052 | 120/240 | (3000 min ⁻¹) | 17 | 71 | 0.7 | 181.24 | ECP350/623 | 120/240 |
| | 112 | 22.6 | 4.7 | 26.85 | | | | 15 | 71 | 0.7 | 195.26 | | |
| | 104 | 24.3 | 4.3 | 28.93 | | | | 13 | 71 | 0.7 | 236.09 | | |
| | 86 | 29.4 | 3.6 | 34.97 | | | | 9.8 | 71 | 0.7 | 307.54 | | |
| | 66 | 38.3 | 2.7 | 45.56 | | | | 811 | 4.6 | 3.0 | 3.70 | ECP350/721 | 120/240 |
| | 59 | 39.9 | 4.9 | 50.89 | ECP250/1053 | 120/240 | | 701 | 5.4 | 2.6 | 4.28 | | |
| | 51 | 46.1 | 4.2 | 58.85 | | | | 579 | 6.5 | 2.2 | 5.18 | | |
| | 44 | 53.4 | 3.7 | 68.06 | | | | 444 | 8.5 | 1.7 | 6.75 | | |
| | 42 | 55.8 | 3.5 | 71.16 | | | | 218 | 16 | 2.6 | 13.73 | ECP350/722 | 120/240 |
| | 38 | 61.7 | 3.2 | 78.71 | | | | 189 | 19 | 2.2 | 15.88 | | |
| | 32 | 72.7 | 2.7 | 92.70 | | | | 163 | 22 | 1.9 | 18.36 | | |
| | 32 | 74.6 | 2.6 | 95.17 | | | | 156 | 23 | 1.9 | 19.20 | | |
| | 30 | 78.0 | 2.5 | 99.50 | | | | 135 | 26 | 1.6 | 22.20 | | |
| | 28 | 84.0 | 2.3 | 107.20 | | | | 120 | 29 | 1.4 | 25.01 | | |
| | 26 | 90.2 | 2.2 | 115.07 | | | | 112 | 32 | 1.3 | 26.85 | | |
| | 24 | 97.2 | 2.0 | 123.97 | | | | 104 | 34 | 1.2 | 28.93 | | |
| | 23 | 101.6 | 1.9 | 129.62 | | | | 86 | 41 | 1.0 | 34.97 | | |
| | 22 | 109.1 | 1.8 | 139.13 | | | | 66 | 54 | 0.8 | 45.56 | | |
| | 20 | 117.5 | 1.7 | 149.90 | | | | 59 | 56 | 1.5 | 50.89 | ECP350/723 | 120/240 |
| | 18 | 132.4 | 1.5 | 168.84 | | | | 51 | 65 | 1.3 | 58.85 | | |
| | 17 | 142.1 | 1.4 | 181.24 | | | | 44 | 75 | 1.1 | 68.06 | | |
| | 15 | 153.1 | 1.3 | 195.26 | | | | 42 | 78 | 1.1 | 71.16 | | |
| | 13 | 185.1 | 1.1 | 236.09 | | | | 38 | 87 | 1.0 | 78.71 | | |
| | 9.8 | 241.1 | 0.8 | 307.54 | | | | 32 | 102 | 0.8 | 92.70 | | |
| | 66 | 38.3 | 3.9 | 45.56 | ECP250/1202 | 120/240 | | 31 | 105 | 0.8 | 95.17 | | |
| | 32 | 72.7 | 4.1 | 92.70 | ECP250/1203 | 120/240 | | 30 | 109 | 0.8 | 99.50 | | |
| | 18 | 132.4 | 2.3 | 168.84 | | | | 28 | 118 | 0.7 | 107.20 | | |
| | 9.8 | 241.1 | 1.2 | 307.54 | | | | 26 | 120 | 0.7 | 115.07 | | |
| | | | | | | | | 24 | 120 | 0.7 | 123.97 | | |
| | | | | | | | | 23 | 120 | 0.7 | 129.62 | | |
| | | | | | | | | 22 | 120 | 0.7 | 139.13 | | |
| | | | | | | | | 20 | 120 | 0.7 | 149.90 | | |
| | | | | | | | | 18 | 120 | 0.7 | 168.84 | | |
| | | | | | | | | 17 | 120 | 0.7 | 181.24 | | |
| | | | | | | | | 15 | 120 | 0.7 | 195.26 | | |
| | | | | | | | | 13 | 120 | 0.7 | 236.09 | | |
| | | | | | | | | 9.8 | 120 | 0.7 | 307.54 | | |
| | | | | | | | | 701 | 5.4 | 3.7 | 4.28 | ECP350/811 | 120/240 |
| | | | | | | | | 579 | 6.5 | 3.1 | 5.18 | | |
| | | | | | | | | 444 | 8.5 | 2.4 | 6.75 | | |
| | | | | | | | | 218 | 16 | 3.7 | 13.73 | ECP350/812 | 120/240 |
| | | | | | | | | 189 | 19 | 3.2 | 15.88 | | |
| | | | | | | | | 163 | 22 | 2.8 | 18.36 | | |
| | | | | | | | | 156 | 23 | 2.7 | 19.20 | | |
| | | | | | | | | 135 | 26 | 2.3 | 22.20 | | |
| | | | | | | | | 120 | 29 | 2.0 | 25.01 | | |
| | | | | | | | | 112 | 32 | 1.9 | 26.85 | | |
| | | | | | | | | 104 | 34 | 1.8 | 28.93 | | |
| | | | | | | | | 86 | 41 | 1.5 | 34.97 | | |
| | | | | | | | | 66 | 54 | 1.1 | 45.56 | | |
| | | | | | | | | 59 | 56 | 2.1 | 50.89 | ECP350/813 | 120/240 |
| | | | | | | | | 51 | 65 | 1.9 | 58.85 | | |
| | | | | | | | | 44 | 75 | 1.6 | 68.06 | | |
| | | | | | | | | 42 | 78 | 1.5 | 71.16 | | |
| | | | | | | | | 38 | 87 | 1.4 | 78.71 | | |
| | | | | | | | | 32 | 102 | 1.2 | 92.70 | | |
| | | | | | | | | 31 | 105 | 1.1 | 95.17 | | |
| | | | | | | | | 30 | 109 | 1.1 | 99.50 | | |
| | | | | | | | | 28 | 118 | 1.0 | 107.20 | | |

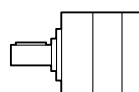
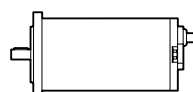
Dati tecnici per servizio S2

Technical data for S2 duty

| P_1 [W] | n_2 [min ⁻¹] | M_2 [Nm] | sf | i |  | Versione motore Motor version | P_1 [W] | n_2 [min ⁻¹] | M_2 [Nm] | sf | i |  | Versione motore Motor version | |
|---------------------------|-------------------------------|---------------|-----|---------------|---|----------------------------------|---------------------------|-------------------------------|--------------------|----------------|-------------------|---|----------------------------------|--------|
| 500 | | | | | | | 800 | | | | | | | |
| (3000 min ⁻¹) | 26 | 126 | 0.9 | 115.07 | ECP350/813 | 120/240 | (3000 min ⁻¹) | 59 | 90 | 0.9 | 50.89 | ECP600/723 | 120/240 | |
| | 24 | 136 | 0.9 | 123.97 | | | 51 | 105 | 0.8 | 58.85 | | | | |
| | 23 | 142 | 0.8 | 129.62 | | | 44 | 120 | 0.7 | 68.06 | | | | |
| | 22 | 153 | 0.8 | 139.13 | | | 42 | 120 | 0.7 | 71.16 | | | | |
| | 20 | 165 | 0.7 | 149.90 | | | 38 | 120 | 0.7 | 78.71 | | | | |
| | 18 | 171 | 0.7 | 168.84 | | | 32 | 120 | 0.7 | 92.70 | | | | |
| | 17 | 171 | 0.7 | 181.24 | | | 31 | 120 | 0.7 | 95.17 | | | | |
| | 15 | 171 | 0.7 | 195.26 | | | 30 | 120 | 0.7 | 99.50 | | | | |
| | 13 | 171 | 0.7 | 236.09 | | | 28 | 120 | 0.7 | 107.20 | | | | |
| | 9.8 | 171 | 0.7 | 307.54 | | | 26 | 120 | 0.7 | 115.07 | | | | |
| | 120 | 29 | 3.6 | 25.01 | ECP350/1052 | 120/240 | 24 | 120 | 0.7 | 123.97 | 23 | 120 | 0.7 | 129.62 |
| | 112 | 32 | 3.3 | 26.85 | | | 22 | 120 | 0.7 | 139.13 | | | | |
| | 104 | 34 | 3.1 | 28.93 | | | 20 | 120 | 0.7 | 149.90 | | | | |
| | 86 | 41 | 2.5 | 34.97 | | | 18 | 120 | 0.7 | 168.84 | | | | |
| | 66 | 54 | 2.0 | 45.56 | | | 17 | 120 | 0.7 | 181.24 | | | | |
| | 59 | 56 | 3.5 | 50.89 | ECP350/1053 | 120/240 | 15 | 120 | 0.7 | 195.26 | 13 | 120 | 0.7 | 236.09 |
| | 51 | 65 | 3.0 | 58.85 | | | 9.8 | 120 | 0.7 | 307.54 | | | | |
| | 44 | 75 | 2.6 | 68.06 | | | 811 | 7.5 | 2.7 | 3.70 | ECP600/811 | 120/240 | | |
| | 42 | 78 | 2.5 | 71.16 | | | 701 | 8.7 | 2.3 | 4.28 | | | | |
| | 38 | 87 | 2.3 | 78.71 | | | 579 | 11 | 1.9 | 5.18 | | | | |
| | 32 | 102 | 1.9 | 92.70 | | | 444 | 14 | 1.5 | 6.75 | ECP600/812 | 120/240 | | |
| | 31 | 105 | 1.9 | 95.17 | | | 218 | 26 | 2.3 | 13.73 | | | | |
| | 30 | 109 | 1.8 | 99.50 | | | 189 | 30 | 2.0 | 15.88 | | | | |
| | 28 | 118 | 1.7 | 107.20 | | | 163 | 35 | 1.7 | 18.36 | | | | |
| | 26 | 126 | 1.5 | 115.07 | | | 156 | 37 | 1.6 | 19.20 | | | | |
| | 24 | 136 | 1.4 | 123.97 | 135 | 42 | 1.4 | 22.20 | | | | | | |
| | 23 | 142 | 1.4 | 129.62 | 120 | 48 | 1.3 | 25.01 | | | | | | |
| | 22 | 153 | 1.3 | 139.13 | 112 | 51 | 1.2 | 26.85 | | | | | | |
| | 20 | 165 | 1.2 | 149.90 | 104 | 55 | 1.1 | 28.93 | | | | | | |
| | 18 | 186 | 1.1 | 168.84 | 86 | 67 | 0.9 | 34.97 | | | | | | |
| | 17 | 199 | 1.0 | 181.24 | 66 | 86 | 0.7 | 45.56 | | | | | | |
| | 15 | 215 | 0.9 | 195.26 | 59 | 90 | 1.3 | 50.89 | ECP600/813 | 120/240 | | | | |
| | 13 | 259 | 0.8 | 236.09 | 51 | 105 | 1.1 | 58.85 | | | | | | |
| | 9.8 | 279 | 0.7 | 307.54 | 44 | 121 | 1.0 | 68.06 | | | | | | |
| | 66 | 54 | 2.8 | 45.56 | 42 | 127 | 0.9 | 71.16 | ECP600/814 | 120/240 | | | | |
| | 32 | 102 | 2.9 | 92.70 | 38 | 140 | 0.9 | 78.71 | | | | | | |
| | 18 | 186 | 1.6 | 168.84 | 32 | 165 | 0.7 | 92.70 | | | | | | |
| | 9.8 | 338 | 0.9 | 307.54 | 31 | 169 | 0.7 | 95.17 | | | | | | |
| | 811 | 7.5 | 1.9 | 3.70 | 30 | 171 | 0.7 | 99.50 | | | | | | |
| | 701 | 8.7 | 1.6 | 4.28 | 28 | 171 | 0.7 | 107.20 | | | | | | |
| | 579 | 11 | 1.3 | 5.18 | 26 | 171 | 0.7 | 115.07 | | | | | | |
| | 444 | 14 | 1.0 | 6.75 | 24 | 171 | 0.7 | 123.97 | | | | | | |
| | 218 | 26 | 1.6 | 13.73 | 23 | 171 | 0.7 | 129.62 | | | | | | |
| | 189 | 30 | 1.4 | 15.88 | 22 | 171 | 0.7 | 139.13 | | | | | | |
| | 163 | 35 | 1.2 | 18.36 | 20 | 171 | 0.7 | 149.90 | | | | | | |
| | 156 | 37 | 1.1 | 19.20 | 18 | 171 | 0.7 | 168.84 | | | | | | |
| | 135 | 42 | 1.0 | 22.20 | 17 | 171 | 0.7 | 181.24 | | | | | | |
| | 120 | 48 | 0.9 | 25.01 | 15 | 171 | 0.7 | 195.26 | | | | | | |
| | 112 | 51 | 0.8 | 26.85 | 13 | 171 | 0.7 | 236.09 | | | | | | |
| | 104 | 55 | 0.8 | 28.93 | 9.8 | 171 | 0.7 | 307.54 | | | | | | |
| | 86 | 60 | 0.7 | 34.97 | 701 | 8.7 | 4.0 | 4.28 | ECP600/1051 | 120/240 | | | | |
| | 66 | 60 | 0.7 | 45.56 | 579 | 11 | 3.3 | 5.18 | | | | | | |
| | | | | | 444 | 14 | 2.6 | 6.75 | | | | | | |
| | | | | | | | | | | | | | | |

Dati tecnici per servizio S2
Technical data for S2 duty

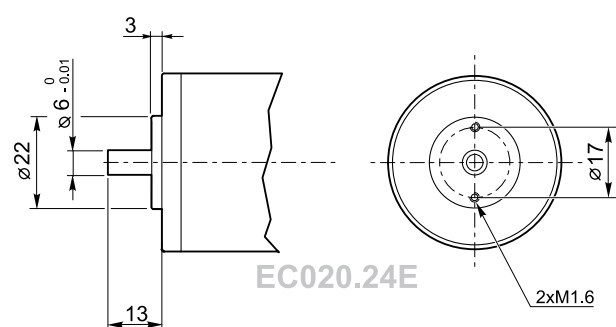
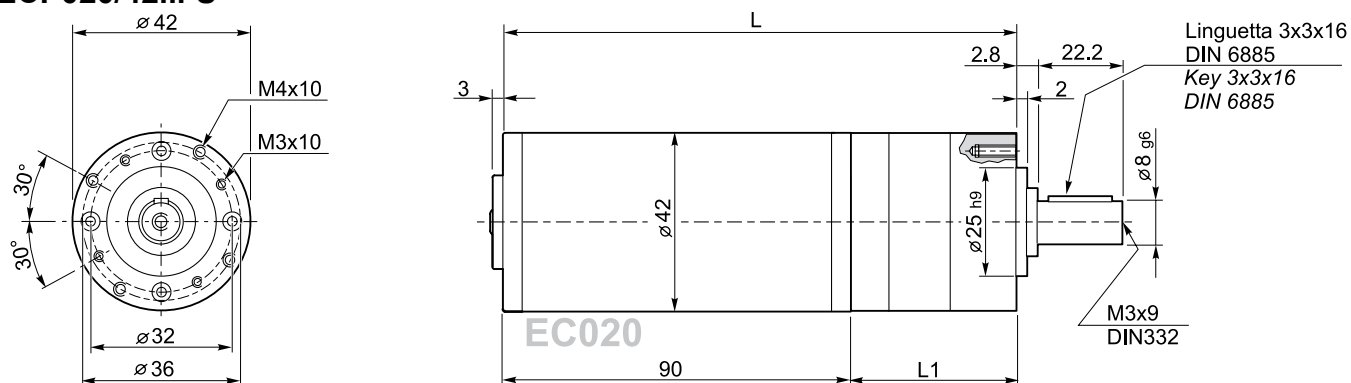
| P_1 [W] | n_2 [min ⁻¹] | M_2 [Nm] | sf | i |  | Versione motore Motor version | P_1 [W] | n_2 [min ⁻¹] | M_2 [Nm] | sf | i |  | Versione motore Motor version |
|---------------------------|-------------------------------|---------------|-----|---------------|---|----------------------------------|---------------------------|-------------------------------|---------------|-----|---------------|---|----------------------------------|
| 800 | | | | | | | 800 | | | | | | |
| (3000 min ⁻¹) | 218 | 26 | 4.0 | 13.73 | ECP600/1052 | 120/240 | (3000 min ⁻¹) | 120 | 48 | 3.1 | 25.01 | ECP600/1202 | 120/240 |
| | 189 | 30 | 3.5 | 15.88 | | | | 66 | 87 | 1.7 | 45.56 | | |
| | 163 | 35 | 3.0 | 18.36 | | | | | | | | | |
| | 156 | 37 | 2.9 | 19.20 | | | | 59 | 90 | 3.3 | 50.89 | ECP600/1203 | 120/240 |
| | 135 | 42 | 2.5 | 22.20 | | | | 32 | 165 | 1.8 | 92.70 | | |
| | 120 | 48 | 2.2 | 25.01 | | | | 18 | 300 | 1.0 | 168.84 | | |
| | 112 | 51 | 2.1 | 26.85 | | | | 9.8 | 429 | 0.7 | 307.54 | | |
| | 104 | 55 | 1.9 | 28.93 | | | | | | | | | |
| | 86 | 67 | 1.6 | 34.97 | | | | | | | | | |
| | 66 | 87 | 1.2 | 45.56 | | | | | | | | | |
| | 59 | 90 | 2.2 | 50.89 | ECP600/1053 | 120/240 | | | | | | | |
| | 51 | 105 | 1.9 | 58.85 | | | | | | | | | |
| | 44 | 121 | 1.6 | 68.06 | | | | | | | | | |
| | 42 | 127 | 1.5 | 71.16 | | | | | | | | | |
| | 38 | 140 | 1.4 | 78.71 | | | | | | | | | |
| | 32 | 165 | 1.2 | 92.70 | | | | | | | | | |
| | 31 | 169 | 1.2 | 95.17 | | | | | | | | | |
| | 30 | 177 | 1.1 | 99.50 | | | | | | | | | |
| | 28 | 191 | 1.0 | 107.20 | | | | | | | | | |
| | 26 | 205 | 1.0 | 115.07 | | | | | | | | | |
| | 24 | 220 | 0.9 | 123.97 | | | | | | | | | |
| | 23 | 230 | 0.8 | 129.62 | | | | | | | | | |
| | 22 | 247 | 0.8 | 139.13 | | | | | | | | | |
| | 20 | 267 | 0.7 | 149.90 | | | | | | | | | |
| | 18 | 279 | 0.7 | 168.84 | | | | | | | | | |
| | 17 | 279 | 0.7 | 181.24 | | | | | | | | | |
| | 15 | 279 | 0.7 | 195.26 | | | | | | | | | |
| | 13 | 279 | 0.7 | 236.09 | | | | | | | | | |
| | 9.8 | 279 | 0.7 | 307.54 | | | | | | | | | |

Motori applicabili
IEC Motor adapters


| | | EC | | | | | | | | |
|----------|------------|--------------------|--------------------|--------------------|--------------------|-------------------------------|--------------------|---------|--------------------|--------------------|
| | | 020.120 020.24E | 035.120 035.240 | 050.12E 050.24E | 070.120 070.240 | 100.120 100.240 100.24E | 180.120 180.240 | 180.24E | 250.120 250.240 | 350.120 350.240 |
| P | 42 | | | | | | | | | |
| | 52 | | | | | | | | | |
| | 62 | | | | | | | | | |
| | 72 | | | | | | | | | |
| | 81 | | | | | | | | | |
| | 105 | | | | | | | | | |
| | 120 | | | | | | | | | |

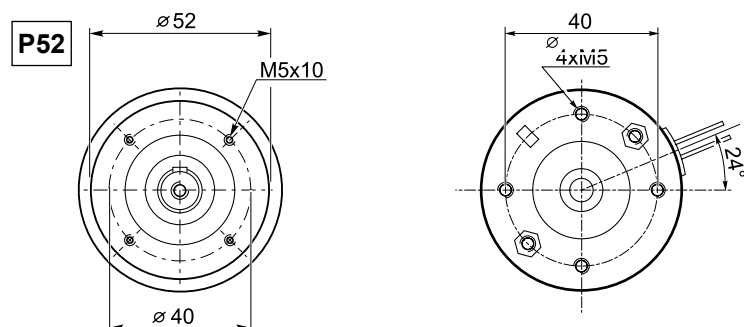
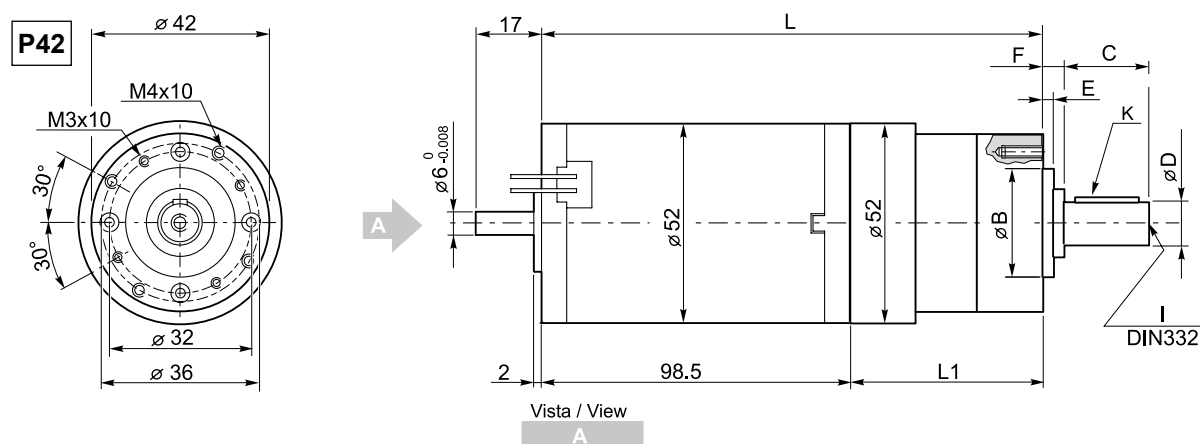
Dimensioni

ECP020/42... U



| | Numero di stadi / Stages number | | |
|--------------|---------------------------------|-----|-----|
| ECP020/42... | 1 | 2 | 3 |
| L1 | 60 | 73 | 86 |
| L | 150 | 163 | 176 |

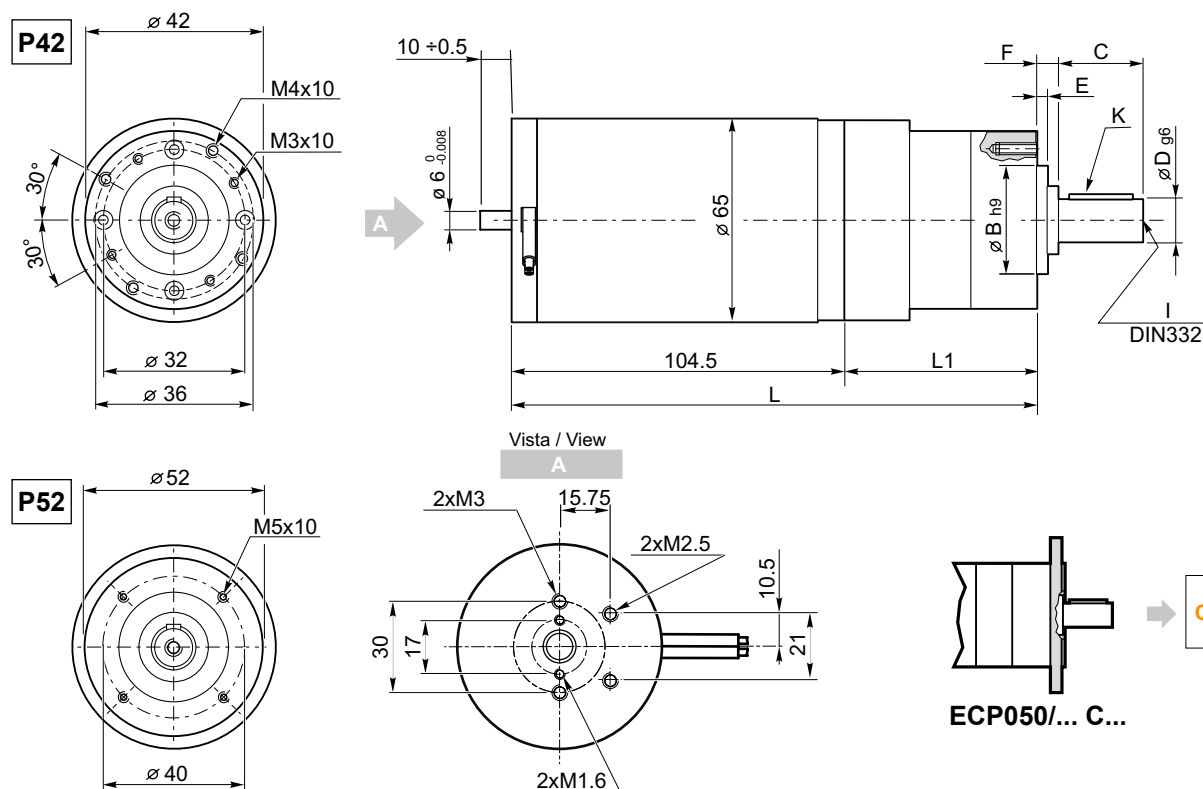
ECP035/... U



| Tipo Type | Numero di stadi Stages number | Dimensioni / Dimensions | | | | | | | | |
|--------------|----------------------------------|-------------------------|-------|-------|------|-------|---|-----|-------|--------|
| | | L1 | L | B | C | D | E | F | I | K |
| ECP035/42... | 1 | 60 | 158.5 | 25 h9 | 22.2 | 8 g6 | 2 | 2.8 | M3x9 | 3x3x16 |
| | 2 | 73 | 171.5 | | | | | | | |
| | 3 | 86 | 184.5 | | | | | | | |
| ECP035/52... | 1 | 72.5 | 175.5 | 32 h8 | 20.8 | 12 h7 | 3 | 4.2 | M4x10 | 4x4x16 |
| | 2 | 86.5 | 189.5 | | | | | | | |
| | 3 | 100.5 | 203.5 | | | | | | | |

Dimensioni

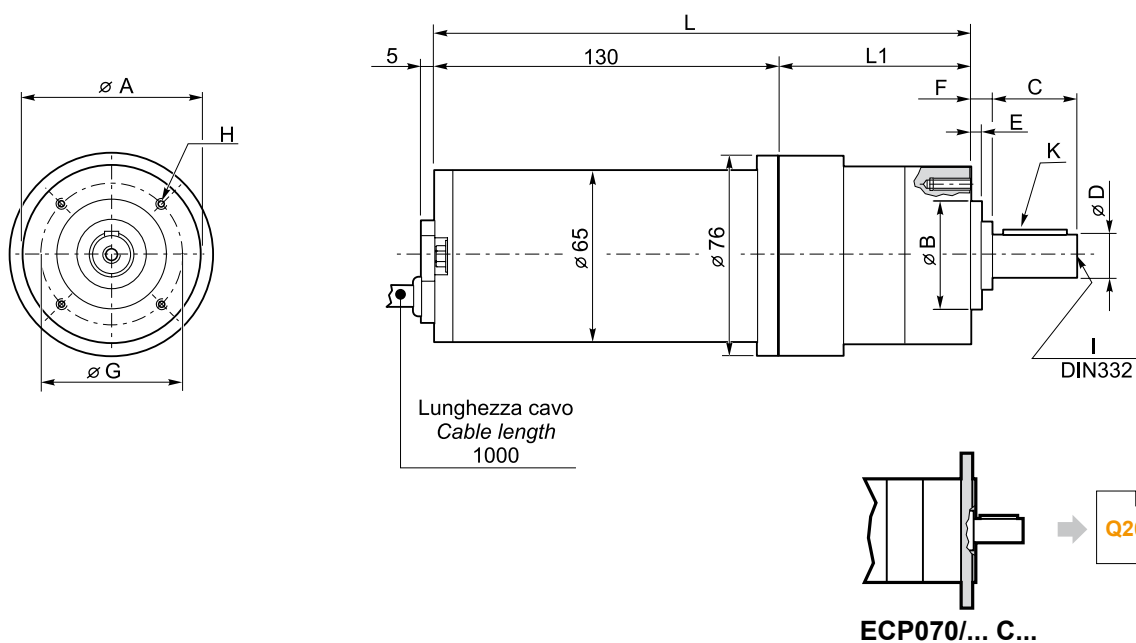
ECP050/... U



| Tipo Type | Numero di stadi Stages number | Dimensioni / Dimensions | | | | | | | | |
|--------------|----------------------------------|-------------------------|-------|-------|------|-------|---|-----|-------|--------|
| | | L1 | L | B | C | D | E | F | I | K |
| ECP050/42... | 1 | 60 | 164.5 | 25 h9 | 22.2 | 8 g6 | 2 | 2.8 | M3x9 | 3x3x16 |
| | 2 | 73 | 177.5 | | | | | | | |
| | 3 | 86 | 190.5 | | | | | | | |
| ECP050/52... | 1 | 72.5 | 177 | 32 h8 | 20.8 | 12 h7 | 3 | 4.2 | M4x10 | 4x4x16 |
| | 2 | 86.5 | 191 | | | | | | | |
| | 3 | 100.5 | 205 | | | | | | | |

Dimensioni

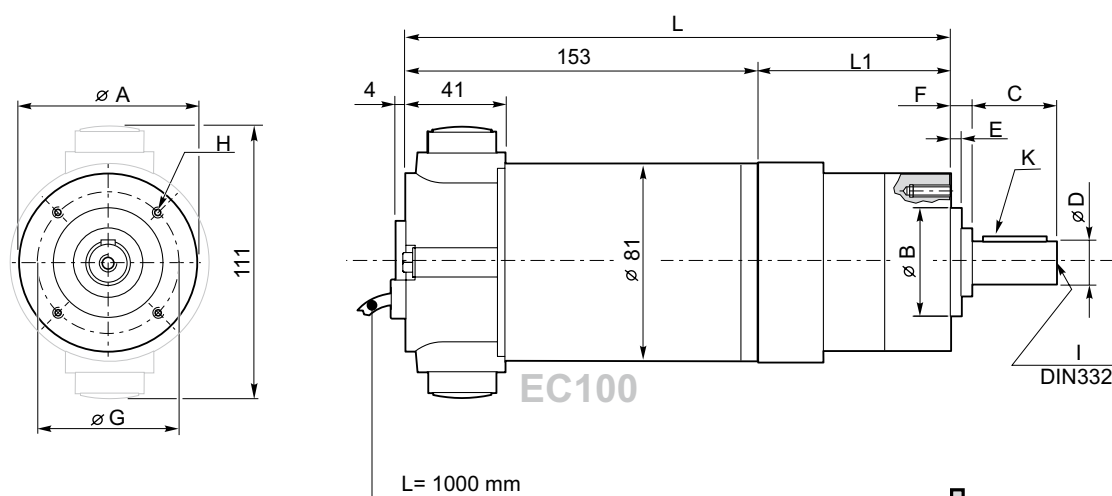
ECP070/... U



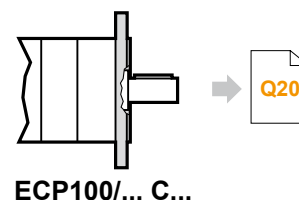
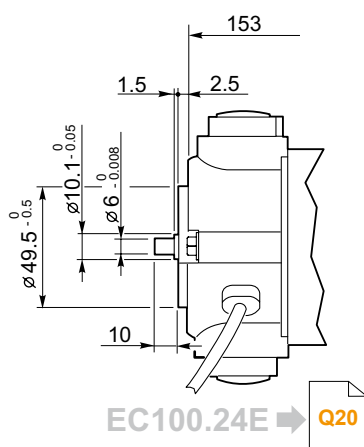
| Tipo Type | Numero di stadi Stages number | Dimensioni / Dimensions | | | | | | | | | | | |
|--------------|----------------------------------|-------------------------|-------|----|-------|------|-------|---|-----|----|-------|-------|--------|
| | | L1 | L | A | B | C | D | E | F | G | H | I | K |
| ECP070/52... | 1 | 74 | 204 | 52 | 32 h8 | 20.8 | 12 h7 | 3 | 4.2 | 40 | M5x10 | M4x10 | 4x4x16 |
| | 2 | 88 | 218 | | | | | | | | | | |
| | 3 | 102 | 232 | | | | | | | | | | |
| ECP070/62... | 1 | 74 | 204 | 62 | 40 j7 | 30 | 14 h7 | 5 | 9 | 52 | M5x10 | M5x12 | 5x5x18 |
| | 2 | 90 | 220 | | | | | | | | | | |
| | 3 | 106 | 236 | | | | | | | | | | |
| ECP070/72... | 1 | 82.4 | 212.4 | 72 | 45 j7 | 40 | 16 h7 | 5 | 9 | 60 | M5x10 | M5x12 | 5x5x30 |
| | 2 | 102 | 232 | | | | | | | | | | |
| | 3 | 121.6 | 251.6 | | | | | | | | | | |
| ECP070/81... | 1 | 91 | 221 | 81 | 50 j7 | 40 | 19 h7 | 5 | 9 | 65 | M6x12 | M6x16 | 6x6x28 |
| | 2 | 113 | 243 | | | | | | | | | | |
| | 3 | 135 | 265 | | | | | | | | | | |

Dimensioni

ECP100/... U... 120/140



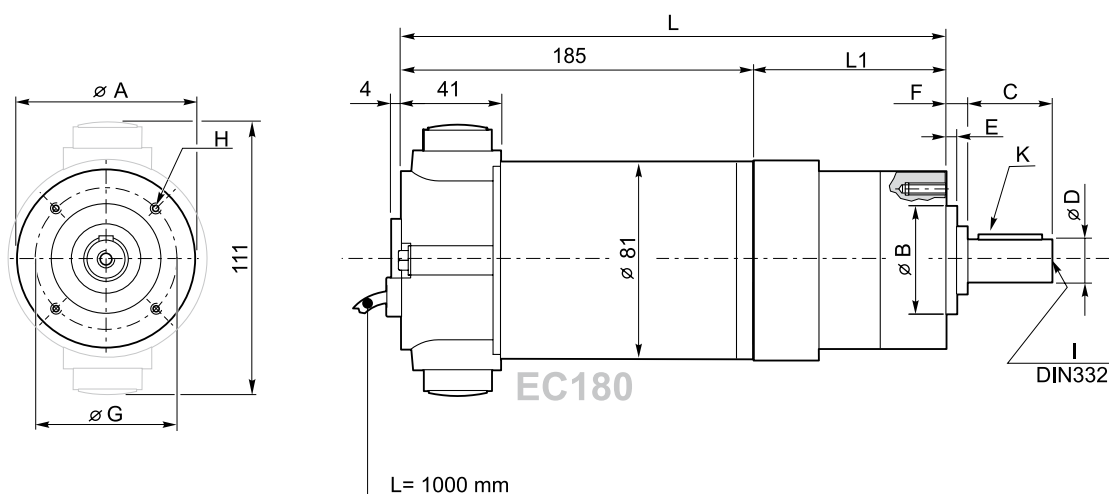
ECP100/... U... 24E



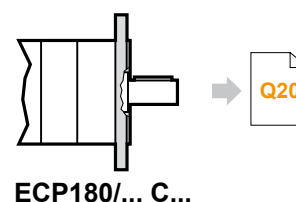
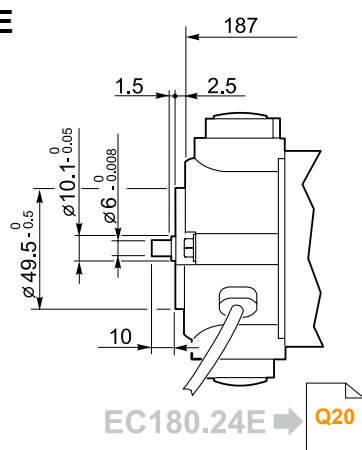
| Tipo Type | Numero di stadi Stages number | Dimensioni / Dimensions | | | | | | | | | | | |
|--------------|----------------------------------|-------------------------|-------|----|-------|------|-------|---|-----|----|-------|-------|--------|
| | | L1 | L | A | B | C | D | E | F | G | H | I | K |
| ECP100/52... | 1 | 74 | 227 | 52 | 32 h8 | 20.8 | 12 h7 | 3 | 4.2 | 40 | M5x10 | M4x10 | 4x4x16 |
| | 2 | 88 | 241 | | | | | | | | | | |
| | 3 | 102 | 255 | | | | | | | | | | |
| ECP100/62... | 1 | 74 | 227 | 62 | 40 j7 | 30 | 14 h7 | 5 | 9 | 52 | M5x10 | M5x12 | 5x5x18 |
| | 2 | 90 | 243 | | | | | | | | | | |
| | 3 | 106 | 259 | | | | | | | | | | |
| ECP100/72... | 1 | 82.4 | 235.4 | 72 | 45 j7 | 40 | 16 h7 | 5 | 9 | 60 | M5x10 | M5x12 | 5x5x30 |
| | 2 | 102 | 255 | | | | | | | | | | |
| | 3 | 121.6 | 274.6 | | | | | | | | | | |
| ECP100/81... | 1 | 91 | 244 | 81 | 50 j7 | 40 | 19 h7 | 5 | 9 | 65 | M6x12 | M6x16 | 6x6x28 |
| | 2 | 113 | 266 | | | | | | | | | | |
| | 3 | 135 | 288 | | | | | | | | | | |

Dimensioni

ECP180/... U... 120/240



ECP180/... U... 24E

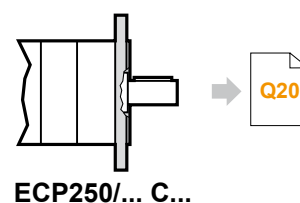
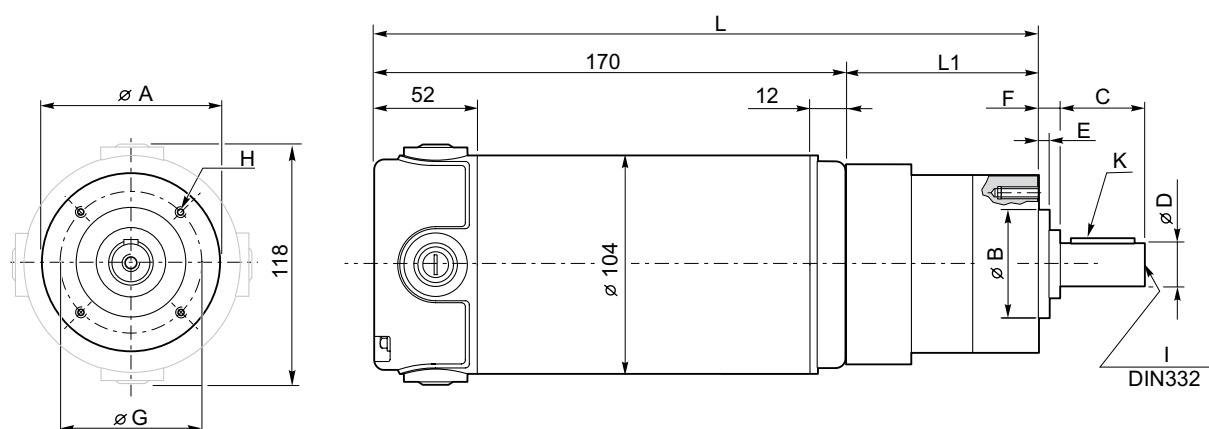


ECP180/... C...

| Tipo Type | Numero di stadi Stages number | Dimensioni / Dimensions | | | | | | | | | | | | | |
|---------------|----------------------------------|-------------------------|-------|-----------|-------|-------------------|-------|------|-------|---|-----|-----|--------|--------|---------|
| | | EC180 | | EC180.24E | | EC180 - EC180.24E | | | | | | | | | |
| | | L1 | L | L1 | L | A | B | C | D | E | F | G | H | I | K |
| ECP180/52... | 1 | 74 | 259 | | | | | | | | | | | | |
| | 2 | 88 | 273 | | | 52 | 32 h8 | 20.8 | 12 h7 | 3 | 4.2 | 40 | M5x10 | M4x10 | 4x4x16 |
| | 3 | 102 | 287 | | | | | | | | | | | | |
| ECP180/62... | 1 | 74 | 259 | 76 | 263 | | | | | | | | | | |
| | 2 | 90 | 275 | 92 | 279 | 62 | 40 j7 | 30 | 14 h7 | 5 | 9 | 52 | M5x10 | M5x12 | 5x5x18 |
| | 3 | 106 | 291 | 108 | 295 | | | | | | | | | | |
| ECP180/72... | 1 | 82.4 | 267.4 | 88.4 | 275.4 | | | | | | | | | | |
| | 2 | 102 | 287 | 108 | 295 | 72 | 45 j7 | 40 | 16 h7 | 5 | 9 | 60 | M5x10 | M5x12 | 5x5x30 |
| | 3 | 121.6 | 306.6 | 127.6 | 314.6 | | | | | | | | | | |
| ECP180/81... | 1 | 91 | 276 | 94 | 281 | | | | | | | | | | |
| | 2 | 113 | 298 | 116 | 303 | 81 | 50 j7 | 40 | 19 h7 | 5 | 9 | 65 | M6x12 | M6x16 | 6x6x28 |
| | 3 | 135 | 320 | 138 | 325 | | | | | | | | | | |
| ECP180/105... | 1 | 113.4 | 298.4 | 116.4 | 303.4 | | | | | | | | | | |
| | 2 | 144.5 | 329.5 | 147.5 | 334.5 | 105 | 70 j7 | 50 | 25 h7 | 5 | 9 | 85 | M8x16 | M10x22 | 8x7x40 |
| | 3 | 175.5 | 360.5 | 178.5 | 365.5 | | | | | | | | | | |
| ECP180/120... | 1 | 131.6 | 316.6 | 134.5 | 321.4 | | | | | | | | | | |
| | 2 | 165.8 | 350.8 | 168.6 | 355.6 | 120 | 80 j7 | 73 | 32 k6 | 5 | 15 | 100 | M10x22 | M12 | 10x8x50 |
| | 3 | 200 | 385 | 202.8 | 389.8 | | | | | | | | | | |

Dimensioni

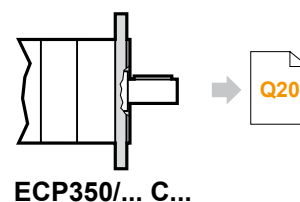
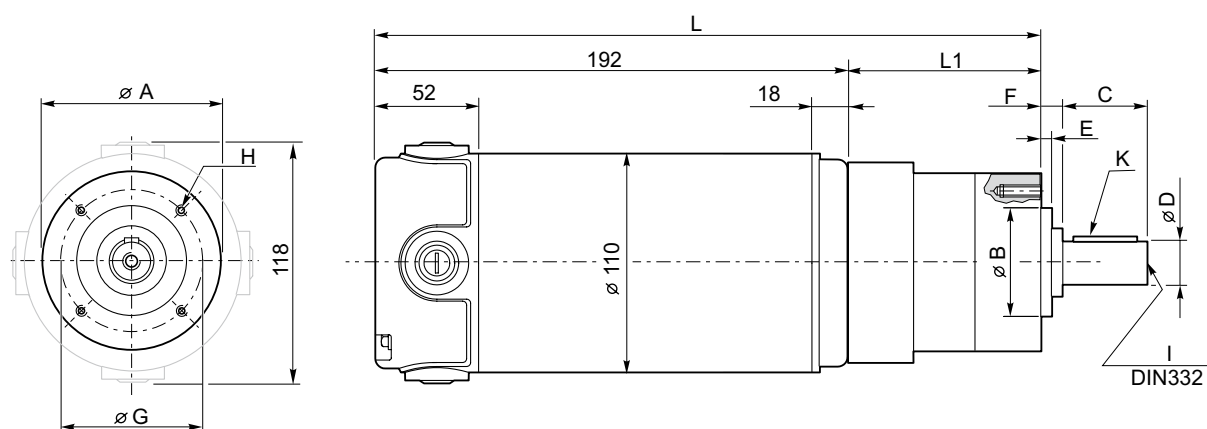
ECP250/... U



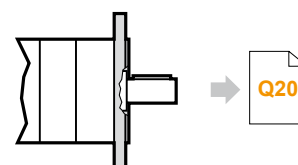
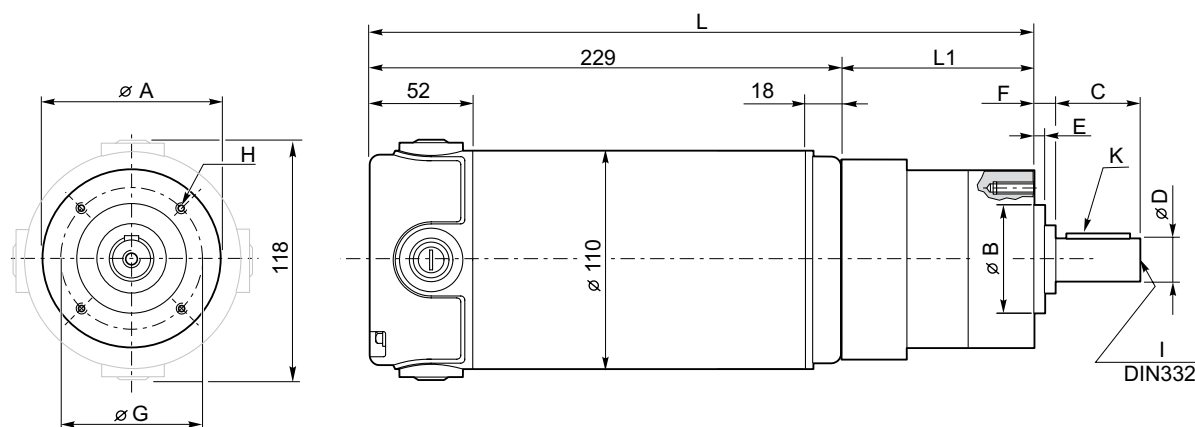
| Tipo Type | Numero di stadi Stages number | Dimensioni / Dimensions | | | | | | | | | | | |
|---------------|----------------------------------|-------------------------|-------|-----|-------|----|-------|---|----|-----|--------|--------|---------|
| | | L1 | L | A | B | C | D | E | F | G | H | I | K |
| ECP250/62... | 1 | 76 | 246 | 62 | 40 j7 | 30 | 14 h7 | 5 | 9 | 52 | M5x10 | M5x12 | 5x5x18 |
| | 2 | 92 | 262 | | | | | | | | | | |
| | 3 | 108 | 278 | | | | | | | | | | |
| ECP250/72... | 1 | 85.4 | 255.4 | 72 | 45 j7 | 40 | 16 h7 | 5 | 9 | 60 | M5x10 | M5x12 | 5x5x30 |
| | 2 | 105 | 275 | | | | | | | | | | |
| | 3 | 124.6 | 294.6 | | | | | | | | | | |
| ECP250/81... | 1 | 94 | 264 | 81 | 50 j7 | 40 | 19 h7 | 5 | 9 | 65 | M6x12 | M6x16 | 6x6x28 |
| | 2 | 116 | 286 | | | | | | | | | | |
| | 3 | 138 | 308 | | | | | | | | | | |
| ECP250/105... | 1 | 113.4 | 283.4 | 105 | 70 j7 | 50 | 25 h7 | 5 | 9 | 85 | M8x16 | M10x22 | 8x7x40 |
| | 2 | 144.5 | 314.5 | | | | | | | | | | |
| | 3 | 175.5 | 345.5 | | | | | | | | | | |
| ECP250/120... | 1 | 131.6 | 301.6 | 120 | 80 j7 | 73 | 32 k6 | 5 | 15 | 100 | M10x22 | M12 | 10x8x50 |
| | 2 | 165.8 | 335.8 | | | | | | | | | | |
| | 3 | 200 | 370 | | | | | | | | | | |

Dimensioni

ECP350/... U

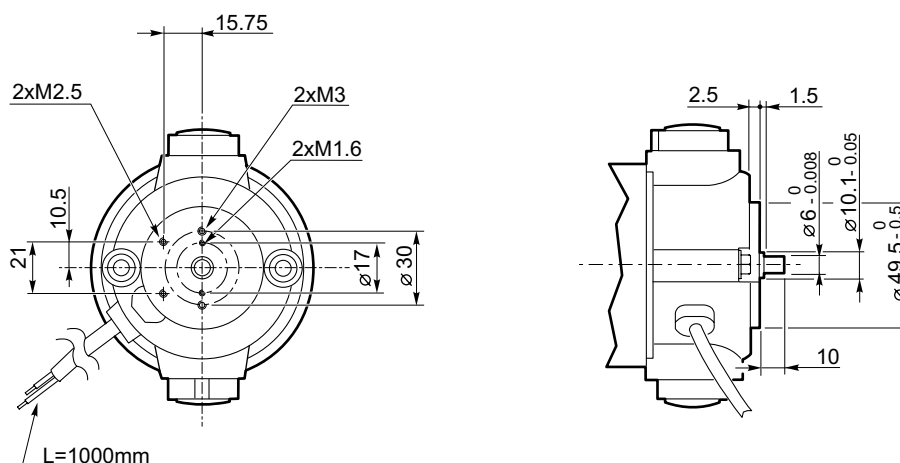


| Tipo Type | Numero di stadi Stages number | Dimensioni / Dimensions | | | | | | | | | | | |
|---------------|----------------------------------|-------------------------|-------|-----|-------|----|-------|---|----|-----|--------|--------|---------|
| | | L1 | L | A | B | C | D | E | F | G | H | I | K |
| ECP350/62... | 1 | 76 | 268 | 62 | 40 j7 | 30 | 14 h7 | 5 | 9 | 52 | M5x10 | M5x12 | 5x5x18 |
| | 2 | 92 | 284 | | | | | | | | | | |
| | 3 | 108 | 300 | | | | | | | | | | |
| ECP350/72... | 1 | 85.4 | 277.4 | 72 | 45 j7 | 40 | 16 h7 | 5 | 9 | 60 | M5x10 | M5x12 | 5x5x30 |
| | 2 | 105 | 297 | | | | | | | | | | |
| | 3 | 124.6 | 316.6 | | | | | | | | | | |
| ECP350/81... | 1 | 94 | 286 | 81 | 50 j7 | 40 | 19 h7 | 5 | 9 | 65 | M6x12 | M6x16 | 6x6x28 |
| | 2 | 116 | 308 | | | | | | | | | | |
| | 3 | 138 | 330 | | | | | | | | | | |
| ECP350/105... | 1 | 113.4 | 305.4 | 105 | 70 j7 | 50 | 25 h7 | 5 | 9 | 85 | M8x16 | M10x22 | 8x7x40 |
| | 2 | 144.5 | 336.5 | | | | | | | | | | |
| | 3 | 175.5 | 367.5 | | | | | | | | | | |
| ECP350/120... | 1 | 131.6 | 323.6 | 120 | 80 j7 | 73 | 32 k6 | 5 | 15 | 100 | M10x22 | M12 | 10x8x50 |
| | 2 | 165.8 | 357.8 | | | | | | | | | | |
| | 3 | 200 | 392 | | | | | | | | | | |

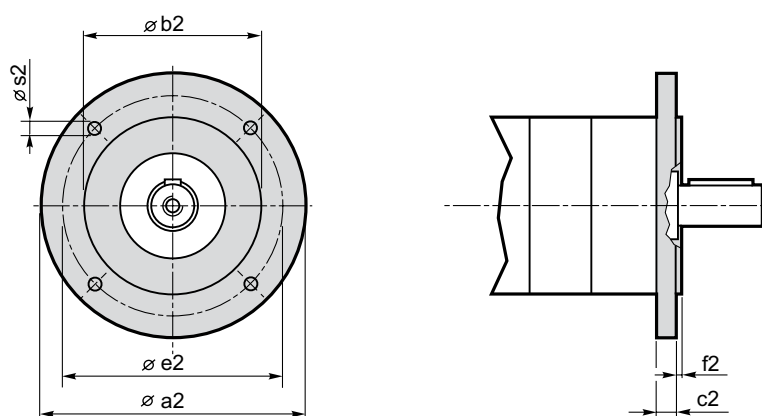
Dimensioni
ECP600/... U

ECP600/... C...

| Tipo Type | Numero di stadi Stages number | Dimensioni / Dimensions | | | | | | | | | | | |
|---------------|----------------------------------|-------------------------|-------|-----|-------|----|-------|---|----|-----|--------|--------|---------|
| | | L1 | L | A | B | C | D | E | F | G | H | I | K |
| ECP600/72... | 1 | 92.4 | 321.4 | 72 | 45 j7 | 40 | 16 h7 | 5 | 9 | 60 | M5x10 | M5x12 | 5x5x30 |
| | 2 | 112 | 341 | | | | | | | | | | |
| | 3 | 131.6 | 360.6 | | | | | | | | | | |
| ECP600/81... | 1 | 101 | 330 | 81 | 50 j7 | 40 | 19 h7 | 5 | 9 | 65 | M6x12 | M6x16 | 6x6x28 |
| | 2 | 123 | 352 | | | | | | | | | | |
| | 3 | 145 | 374 | | | | | | | | | | |
| ECP600/105... | 1 | 120.4 | 349.4 | 105 | 70 j7 | 50 | 25 h7 | 5 | 9 | 85 | M8x16 | M10x22 | 8x7x40 |
| | 2 | 151.5 | 380.5 | | | | | | | | | | |
| | 3 | 182.5 | 411.5 | | | | | | | | | | |
| ECP600/120... | 1 | 133.7 | 362.7 | 120 | 80 j7 | 73 | 32 k6 | 5 | 15 | 100 | M10x22 | M12 | 10x8x50 |
| | 2 | 167.9 | 396.9 | | | | | | | | | | |
| | 3 | 202.1 | 431.1 | | | | | | | | | | |

Dimensioni

 ECP100.24E
ECP180.24E


ECP.../... C... Flange uscita / Output flanges



| Dimensioni / Dimensions | | | | | | | |
|-------------------------|-----|--------|----|-----|-----|-----|---------------------------------|
| P | a2 | b2 | c2 | e2 | f2 | s2 | Flangia uscita Output flange |
| 52 | 80 | 50 j7 | 9 | 65 | 2.5 | M5 | C80 |
| | 90 | 60 j7 | 9 | 75 | 2.5 | 5.5 | C90 |
| | 105 | 70 j7 | 9 | 85 | 2.5 | 6.5 | C105 |
| | 120 | 80 j7 | 9 | 100 | 3.0 | 6.5 | C120 |
| 62 | 80 | 50 j7 | 9 | 65 | 2.5 | M5 | C80 |
| | 90 | 60 j7 | 9 | 75 | 2.5 | 5.5 | C90 |
| | 105 | 70 j7 | 9 | 85 | 2.5 | 6.5 | C105 |
| | 120 | 80 j7 | 9 | 100 | 3.0 | 6.5 | C120 |
| 72 | 80 | 50 j7 | 9 | 65 | 2.5 | M5 | C80 |
| | 90 | 60 j7 | 9 | 75 | 2.5 | M5 | C90 |
| | 105 | 70 j7 | 9 | 85 | 2.5 | 6.5 | C105 |
| | 120 | 80 j7 | 9 | 100 | 3.0 | 6.5 | C120 |
| 81 | 90 | 60 j7 | 9 | 75 | 2.5 | M5 | C90 |
| | 105 | 70 j7 | 9 | 85 | 2.5 | M6 | C105 |
| | 120 | 80 j7 | 9 | 100 | 3.0 | 6.5 | C120 |
| 105 | 120 | 80 j7 | 12 | 100 | 3 | M6 | C120 |
| | 140 | 95 j7 | 12 | 115 | 3.5 | M8 | C140 |
| | 160 | 110 j7 | 12 | 130 | 3.5 | M8 | C160 |
| 120 | 140 | 95 j7 | 15 | 115 | 3 | M8 | C140 |
| | 160 | 110 j7 | 15 | 130 | 3.5 | M8 | C160 |